

# ASSEMBLY INSTRUCTIONS

Description: **SUNSET CLIFF NIGHT STAND**

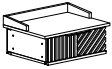
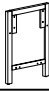

**Important safety instructions:**

- Please read carefully all instructions before assembly.
- For your safety and ease, assembly by two or more adults is recommended.
- Keep instructions for future use.





**Pre-assembly:**

- Do not discard any content until assembly is complete to avoid accidentally discarding small parts or hardware.
- Take out all parts and hardware from box.

**Parts List**

Item	Description	QTY
P1	Nightstand top 	1
P2	Leg Frame (L-R) 	2
P3	Shelf 	1

**Hardware List**

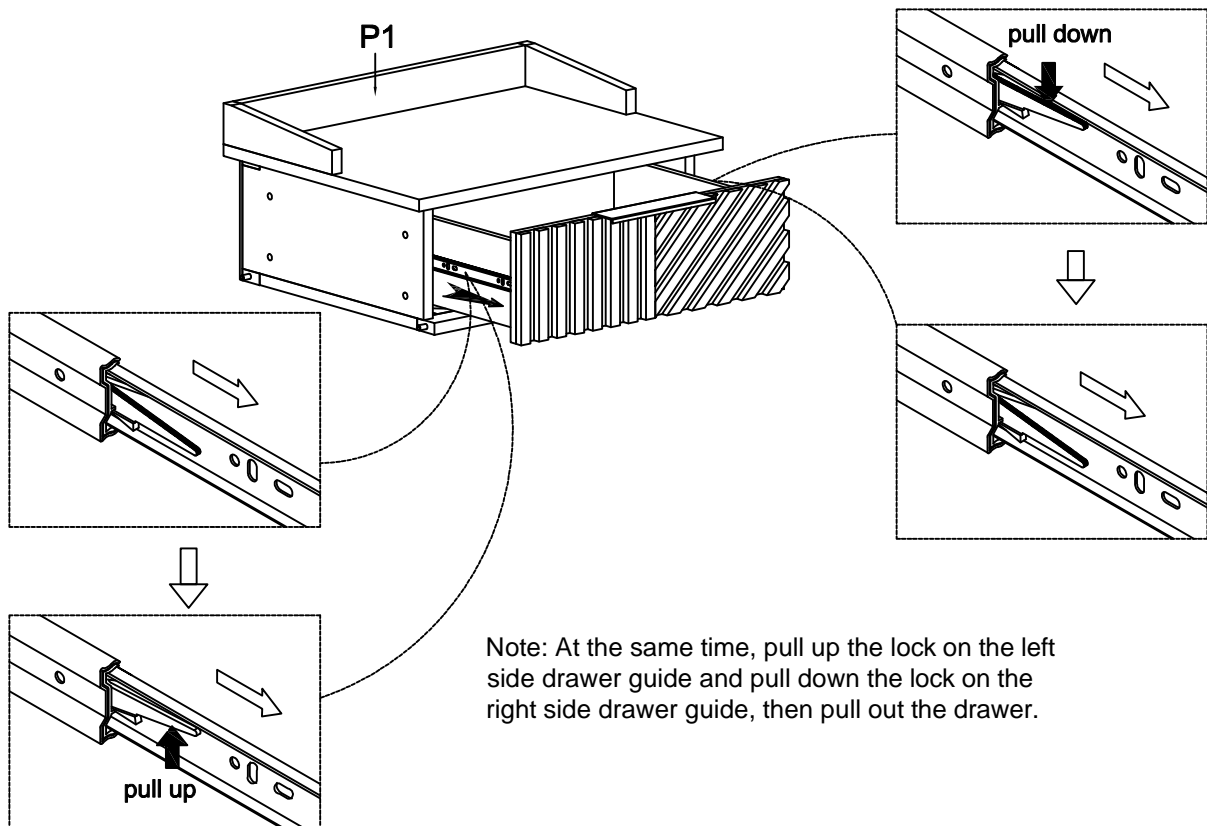
Item	Description	QTY
H1	Bolts Ø1/4" x 1-3/8"L 	12
H2	Lock Washers 1/4" 	12
H3	Flat Washers 1/4"x16 	12
H4	Allen Wrench 	1

**DISCLAIMER:**

**WHEN PROPERLY ASSEMBLED, THIS ITEM IS SAFE FOR INTENDED USE. SELLER IS NOT LIABLE FOR ANY DAMAGES RESULTING FROM ITEM BEING IMPROPERLY ASSEMBLED AFTER PURCHASE.**





**Assembly Procedures:**

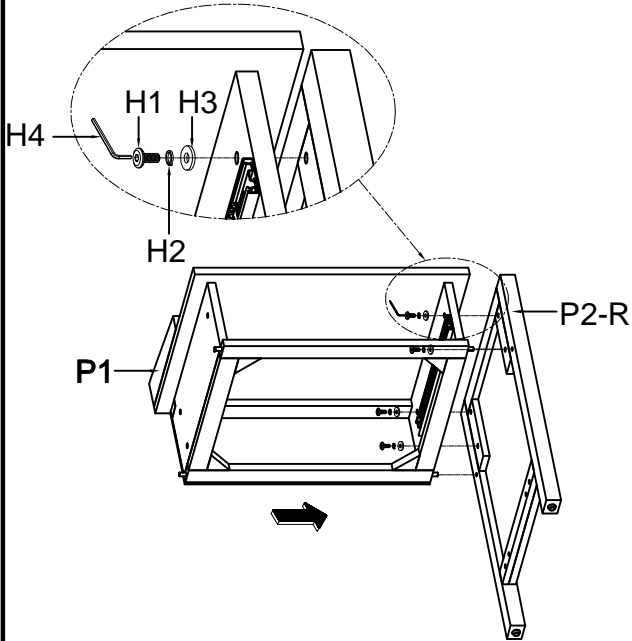
**Step 1: Assemble the Nightstand on a flat, soft surface such as a carpet or cloth to prevent scratching the finish. Pull out the drawer as shown below:**







Note: At the same time, pull up the lock on the left side drawer guide and pull down the lock on the right side drawer guide, then pull out the drawer.

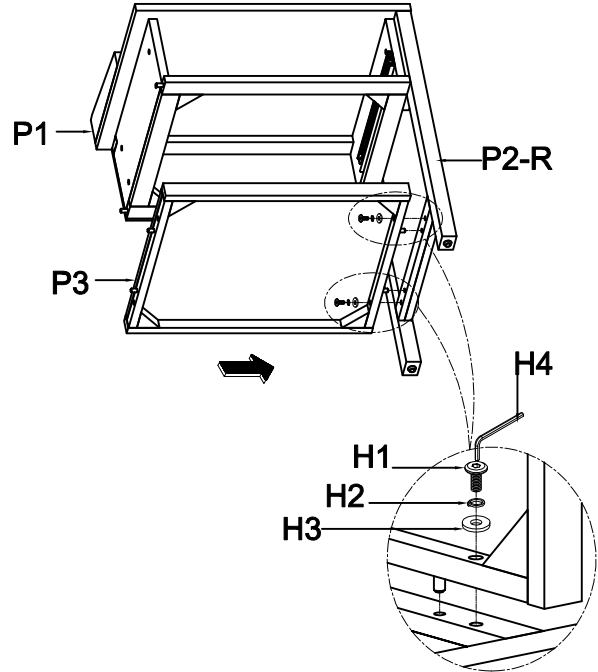
**Step 2: Attach Leg Frame (P2-R) to Nightstand top (P1) as shown below. Don't tighten all bolts.**

- (H1)x4 Bolts  $\varnothing 1/4"$  x 1-3/8"L 
- (H2)x4 Lock Washers 1/4" 
- (H3)x4 Flat Washers 1/4"x16 
- (H4)x1 Allen Wrench 




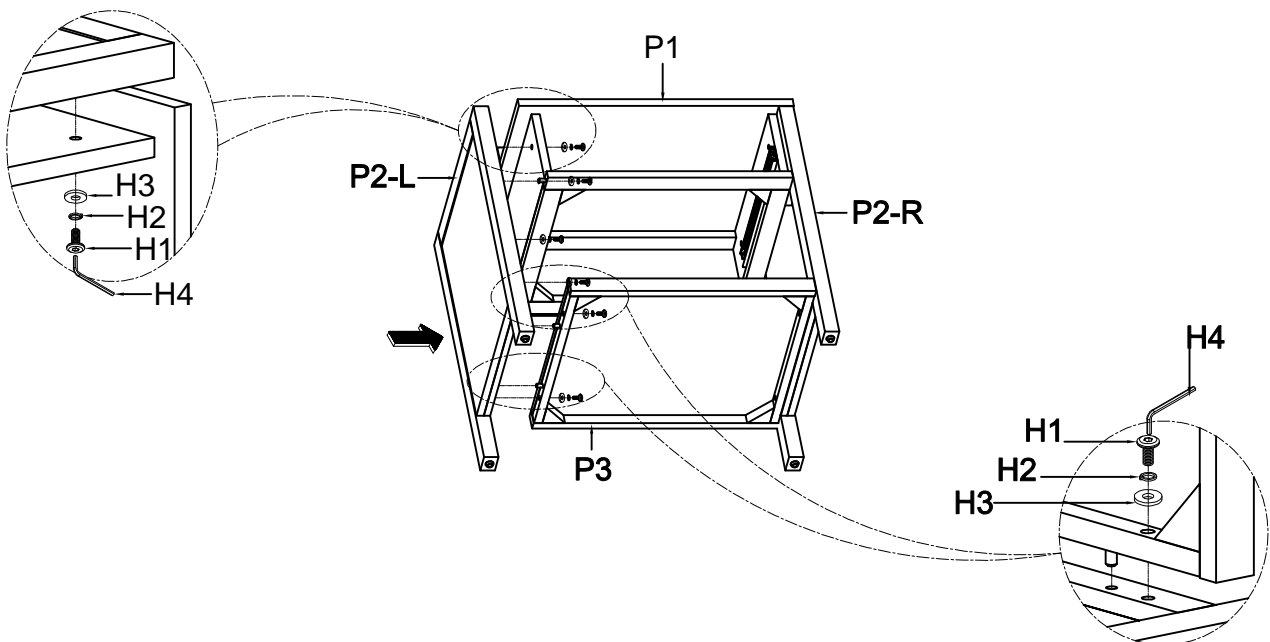
**Step 3: Attach Shelf (P3) to Leg Frame (P2-R) as shown below. Don't tighten all bolts.**

- (H1)x2 Bolts  $\varnothing 1/4"$  x 1-3/8"L 
- (H2)x2 Lock Washers 1/4" 
- (H3)x2 Flat Washers 1/4"x16 
- (H4)x1 Allen Wrench 

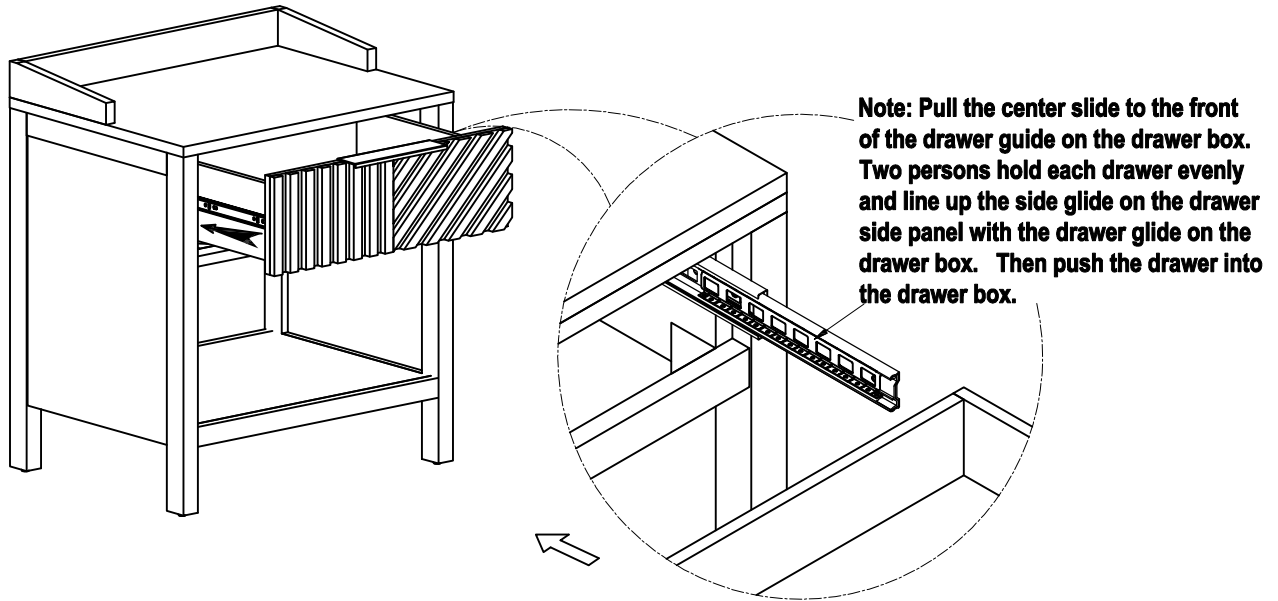


**Step 4: Attach Leg Frame (P2-L) to Nightstand top (P1) and Shelf (P3) as shown below. Tighten all bolts.**

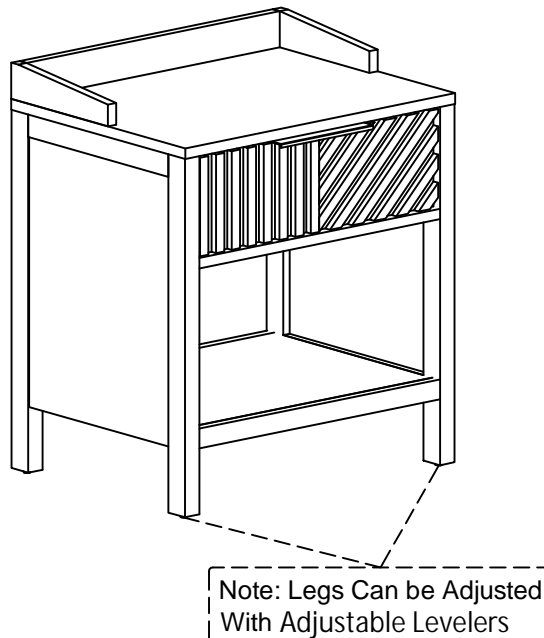
- (H1)x6 Bolts  $\varnothing 1/4"$  x 1-3/8"L 
- (H2)x6 Lock Washers 1/4" 
- (H3)x6 Flat Washers 1/4"x16 
- (H4)x1 Allen Wrench 



Step 5: Turn the assembled Nightstand to an upright position. Then push in the drawer as shown below:



Step 6: Assembly is complete.



**ADDITIONAL NOTE ABOUT SAFETY: BOLTS MAY LOOSEN DURING NORMAL EVERYDAY USE. THEY SHOULD BE PERIODICALLY INSPECTED AND RE-TIGHTENED TO PREVENT DAMAGE OR INJURY. ALWAYS CHECK TO ENSURE THAT ALL HARDWARE IS KEPT TIGHTENED.**

Thank you for your purchase